

Accessories

We have developed a range of accessories to make your job easier.

• Legs

Legs provide a means of raising the conveyors off the ground to the height needed for the job.

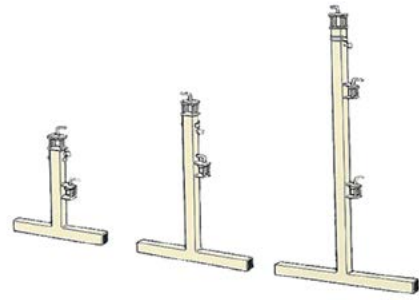
Small adjust from 1'10" to 2'9" (0.57m to 0.86m)

Medium from 2'7" to 4'3" (0.81m to 1.32m)

Large from 4'3" to 6'7" (1.32m to 2.06m)

All legs assemble with no tools needed.

*Leg Extensions Available



• Guide Rails

Guide rails provide a means to keep packages of different sizes moving on the conveyor without the possibility of falling. Guides are adjustable **as narrow as 14" to as wide as 35"** and can be set at any width in between.



*Conveyor pictured is a 10' x 15" Handiveyor with all grip belt